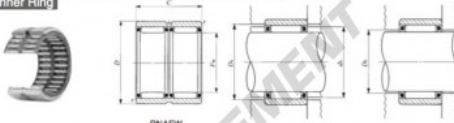


Roulement à aiguilles RNAFW172520-IKO - RNAFW172520-IKO

<https://www.123roulement.com/roulement-palier/roulement-aiguilles/aiguilles/rnafw172520-iko>

IKO
NEEDLE ROLLER BEARINGS WITH SEPARABLE CAGE
Without inner Ring



Shaft dia. mm	Identification number	Mass (Ref.) g	Boundary dimensions mm				Standard mounting dimensions mm			Basic dynamic load rating C N	Basic static load rating C ₀ N
			F ₀	D	C	r ⁽¹⁾ r _{s min}	d _b	D _s Max.	D _b		
17	RNAFW 172520	33,5	17	25	20	0,3	20,6	23	17,6	12 400	17 900

Allowable rotational speed⁽²⁾
rpm
30 000

Notes⁽¹⁾ Minimum allowable value of chamfer dimension r.
⁽²⁾ Allowable rotational speed applies to grease lubrication.
Remark: This roller ring has an oil groove and an oil hole.
2. Bearings with seals on both sides are provided with prepacked grease. Bearings with a seal on one side are not provided with prepacked grease. Perform proper lubrication for use.

CARACTÉRISTIQUES PRODUIT

Marque	IKO
N° Ean13	3663952383828
Diam. intérieur	17 mm
Diam. extérieur	25 mm
Épaisseur	20 mm
Conditionnement	1

contact@123roulement.com

03 59 36 04 90

CRT4 de Lesquin 60 Rue Du Haut De Sainghin 59273 Fretin FRANCE