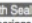

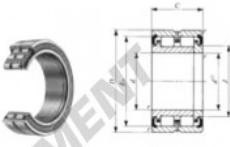


Roulement à aiguilles TRU9012550-UU-IKO - TRU9012550-UU-IKO

<https://www.123roulement.com/roulement-palier/roulement-aiguilles/aiguilles/tru9012550-uu-iko>

IKO
ROLLER BEARINGS
Caged Roller Bearings 
Full Complement Roller Bearings 



Shaft dis. mm	Identification number			Mass (Ref.) g	Boundary dimensions mm				
	Full complement type	Caged type			d	D	C	r ^(*)	J
90	—	TRU 9012550UU		1 740	90	125	50	1.5	101
E_w	Basic dynamic load rating C	Basic static load rating C ₀	Allowable rotational speed ^(*) rpm						
114	N	N	1 900						

Notes^(*) Minimum allowable value of chamfer dimension r
^(*) Allowable rotational speed applies to grease lubrication. Considering that the axial load acts under practical operating conditions, up to 1/10 of this value is recommended for actual use.
 Remarks: 1. The NAU and NAG series with a bore diameter, d, of 17 mm or less have no oil hole. In others, the outer ring has an oil groove and two oil holes.
 2. The bearings with seals are provided with prepacked grease.

CARACTÉRISTIQUES PRODUIT

Marque	IKO
N° Ean13	3663952386546
Diam. intérieur	90 mm
Diam. extérieur	125 mm
Épaisseur	50 mm
Conditionnement	1

contact@123roulement.com

03 59 36 04 90

CRT4 de Lesquin 60 Rue Du Haut De Sainghin 59273 Fretin FRANCE