


Roulement à aiguilles NAG4924-UU-IKO - NAG4924-UU-IKO

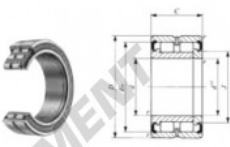
<https://www.123roulement.com/roulement-palier/roulement-aiguilles/aiguilles/nag4924-uu-iko>



ROLLER BEARINGS

Caged Roller Bearings **[With Seal]**

Full Complement Roller Bearings **[With Seal]**



NAG49-UU

Shaft dis. mm	Identification number		Mass (Ref.) g	Boundary dimensions mm				
	Full complement type	Caged type		d	D	C	r _{fs} (1)	J
120	NAG 4924UU	—	2 780	120	165	45	1.5	136
<i>E_w</i>	Basic dynamic load rating C	Basic static load rating C ₀	Allowable rotational speed (2)					
153.5	N	N	rpm	208 000	431 000	1 000		

Notes: (1) Minimum allowable value of chamfer dimension r
(2) Allowable rotational speed applies to grease lubrication. Considering that the axial load acts under practical operating conditions, up to 1/10 of this value is recommended for actual use.
Remarks: 1. The NAG and NAI series with a bore diameter, d, of 17 mm or less have no oil hole. In others, the outer ring has an oil groove and two oil holes.
2. The bearings with seals are provided with prepacked grease.

CARACTÉRISTIQUES PRODUIT

Marque	IKO
N° Ean13	3663952386669
Diam. intérieur	120 mm
Diam. extérieur	165 mm
Épaisseur	45 mm
Poids	2921 g
Conditionnement	1

contact@123roulement.com

03 59 36 04 90

CRT4 de Lesquin 60 Rue Du Haut De Sainghin 59273 Fretin FRANCE