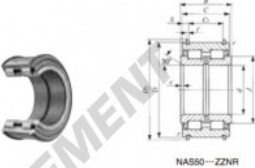


## Roulement à aiguilles NAS5032-ZZ-NR-IKO - NAS5032-ZZ-NR-IKO

<https://www.123roulement.com/roulement-palier/roulement-aiguilles/aiguilles/nas5032-zz-nr-iko>

**IKO**  
**ROLLER BEARINGS**  
Roller Bearings for Sheaves



Shaft dia. mm	Identification number		Mass (Ref.) kg	Boundary dimensions mm						
	Sealed type	Shield type		d	D	D <sub>2</sub>	B	C	C <sub>1</sub>	S
160		NAS 5032ZZNR	16.5	160	240	248.4	109	108	89	9.5
<i>f</i>	<i>c</i>	<i>r</i> mm	<i>J</i>	Basic dynamic load rating C <sub>0</sub> N	Basic static load rating C <sub>0</sub> N	Allowable rotational speed <sup>(*)</sup> rpm				
3	3.5	1.5	188.5	720 000	1 390 000	650				

Notes<sup>(\*)</sup> Minimum allowable value of chamfer dimension *r*  
<sup>(\*)</sup> Allowable rotational speed applies to grease lubrication. Considering that the axial load acts under practical operating conditions, up to 1/10 of this value is recommended for actual use.  
 Remarks: 1. The NAS and NAU series with a bore diameter, *d*, of 17 mm or less have no oil hole. In others, the outer ring has an oil groove and two oil holes.  
 2. The bearings with seals are provided with prepacked grease.

### CARACTÉRISTIQUES PRODUIT

Marque	IKO
N° Ean13	3663952387086
Diam. intérieur	160 mm
Diam. intérieur	6.299" inch
Diam. extérieur	240 mm
Diam. extérieur	9.449" inch
Epaisseur	109 mm
Epaisseur	4.291" inch
Conditionnement	1

[contact@123roulement.com](mailto:contact@123roulement.com)

03 59 36 04 90

CRT4 de Lesquin 60 Rue Du Haut De Sainghin 59273 Fretin FRANCE