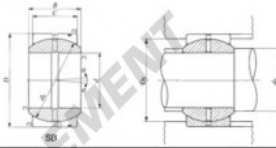


Rotule GE SB6010053-IKO - SB6010053-IKO

<https://www.123roulement.com/roulement-palier/rotule/ge/sb6010053-iko>

IKO
SPHERICAL BUSHINGS
Steel-on-steel Spherical Bushings



Shaft dia. mm	Identification number	Mass (Ref.) kg	Boundary dimensions mm						Permissible tilting angle degree
			d	D	B	C	d _k	r ₁ mm ⁽¹⁾	
60	SB 6010053	1.70	60	100	53	45	90	0.6	6
Mounting dimensions mm		Dynamic load capacity C _d N		Static load capacity C _s N					
d _s	D _s								
Min.	Max. ⁽²⁾	Min.	N	N	N				
64.5	72.5	95.5	397 000	2 380 000					

Notes:⁽¹⁾ Minimum allowable value of chamfer dimensions r₁ and r₂.
⁽²⁾ When Spherical Bushings are used with full tilting angle, the shaft shoulder dimension must be less than the maximum value of d_s.
Remark: 1. The inner ring and the outer ring have an oil groove and two oil holes, respectively.
2. Not provided with prepacked grease. Perform proper lubrication for use.

CARACTÉRISTIQUES PRODUIT

Marque	IKO
N° Ean13	3663952391373
Diam. intérieur	60 mm
Diam. extérieur	100 mm
Épaisseur	53 mm
Type	GE
Lubrification	sans
Conditionnement	1

contact@123roulement.com

03 59 36 04 90

CRT4 de Lesquin 60 Rue Du Haut De Sainghin 59273 Fretin FRANCE