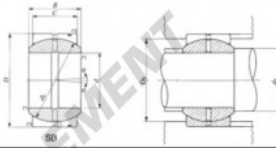


Rotule GE SB6510555-IKO - SB6510555-IKO

<https://www.123roulement.com/roulement-palier/rotule/ge/sb6510555-iko>

IKO
SPHERICAL BUSHINGS
Steel-on-steel Spherical Bushings



Shaft dia. mm	Identification number	Mass (Ref.) kg	Boundary dimensions mm					Permissible tilting angle degree	
			d	D	B	C	d _k (1)		
65	SB 6510555	2.05	65	105	55	47	94	0.6	5
Mounting dimensions mm		Dynamic load capacity C _d N	Static load capacity C _s N						
d _s Min.	d _s Max. (2)		D _s Min.						
69.5	76	433 000	2 600 000						

Notes (1) Minimum allowable value of chamfer dimensions r₁ and r₂.
(2) When Spherical Bushings are used with full tilting angle, the shaft shoulder dimension must be less than the maximum value of d_s.
Remark 1. The inner ring and the outer ring have an oil groove and two oil holes, respectively.
2. Not provided with prepacked grease. Perform proper lubrication for use.

CARACTÉRISTIQUES PRODUIT

Marque	IKO
N° Ean13	3663952391397
Diam. intérieur	65 mm
Diam. extérieur	105 mm
Epaisseur	55 mm
Type	GE
Poids	2050 g
Lubrification	sans
Conditionnement	-
Norme	Sans norme

contact@123roulement.com

03 59 36 04 90

CRT4 de Lesquin 60 Rue Du Haut De Sainghin 59273 Fretin FRANCE