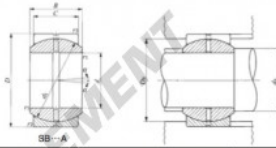


Rotule GE SB110A-IKO - SB110A-IKO

<https://www.123roulement.com/roulement-palier/rotule/ge/sb110a-iko>

IKO
SPHERICAL BUSHINGS
Steel-on-steel Spherical Bushings



Shaft dia. mm	Identification number	Mass (Ref.) kg	Boundary dimensions mm					Permissible tilting angle degree	
			d	D	B	C	d _k ⁽¹⁾		
110	SB 110A	8.55	110	170	93	80	160	1	5
Mounting dimensions mm		Dynamic load capacity		Static load capacity					
d _s		D _s		C _d		C _s			
Min.	Max. ⁽²⁾	Min.	Max.	N	N	N	N		
115.5	130	164.5	149	1 260 000	7 530 000				

Notes⁽¹⁾ Minimum allowable value of chamfer dimensions r₁ and r₂.
⁽²⁾ When Spherical Bushings are used with full tilting angle, the shaft shoulder dimension must be less than the maximum value of d_s.
Remark: 1. The inner ring and the outer ring have an oil groove and two oil holes, respectively.
2. Not provided with prepacked grease. Perform proper lubrication for use.

CARACTÉRISTIQUES PRODUIT

Marque	IKO
N° Ean13	3663952391540
Diam. intérieur	110 mm
Diam. extérieur	170 mm
Épaisseur	93 mm
Type	GE
Lubrification	sans
Conditionnement	1

contact@123roulement.com

03 59 36 04 90

CRT4 de Lesquin 60 Rue Du Haut De Sainghin 59273 Fretin FRANCE