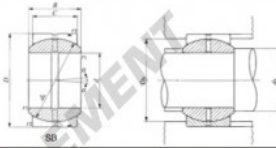


Rotule GE SB11518098-IKO - SB11518098-IKO

<https://www.123roulement.com/roulement-palier/rotule/ge/sb11518098-iko>

IKO
SPHERICAL BUSHINGS
Steel-on-steel Spherical Bushings



Shaft dia. mm	Identification number	Mass (Ref.) kg	Boundary dimensions mm						Permissible tilting angle degree
			d	D	B	C	d _k	r ₁ mm	
115	SB 11518098	10.3	115	180	98	85	165	1	5
Mounting dimensions mm		Dynamic load capacity C _d N		Static load capacity C _s N					
d _s	D _s	C _d	C _s						
Min.	Max. ⁽¹⁾	Min.	N						
120.5	132.5	174.5	152	1 380 000	8 250 000				

Notes⁽¹⁾ Minimum allowable value of chamfer dimensions r₁ and r₂.
⁽²⁾ When Spherical Bushings are used with full tilting angle, the shaft shoulder dimension must be less than the maximum value of d_s.
Remark: 1. The inner ring and the outer ring have an oil groove and two oil holes, respectively.
2. Not provided with prepacked grease. Perform proper lubrication for use.

CARACTÉRISTIQUES PRODUIT

Marque	IKO
N° Ean13	3663952391571
Diam. intérieur	115 mm
Diam. extérieur	180 mm
Épaisseur	98 mm
Type	GE
Lubrification	sans
Conditionnement	1

contact@123roulement.com

03 59 36 04 90

CRT4 de Lesquin 60 Rue Du Haut De Sainghin 59273 Fretin FRANCE