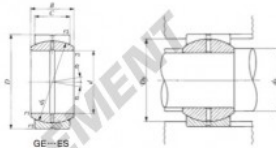


Rotule GE GE300ES-IKO - GE300ES-IKO

<https://www.123roulement.com/roulement-palier/rotule/ge/ge300es-iko>

IKO
SPHERICAL BUSHINGS
Steel-on-steel Spherical Bushings



Shaft dia. mm	Identification number		Mass (Ref.) kg	Boundary dimensions mm						Permissible tilting angle degree		
	Without seals	With seals		d	D	B	C	d _s	r ₁ ⁽¹⁾ mm	r ₂ ⁽¹⁾ mm	α	α ₁
300	GE 300ES		76.0	300	430	165	120	375	1.1	1.1	7	6
Mounting dimensions mm		Dynamic load capacity C _d		Static load capacity C _s								
d _s	D _s	C _d		C _s								
Min.	Max. ⁽²⁾	Min.	N	Min.	N							
307	336.5	423	371	4 410	000							

Notes⁽¹⁾ Minimum allowable value of chamfer dimensions r₁ and r₂.
⁽²⁾ When Spherical Bushings are used with full tilting angle, the shaft shoulder dimension must be less than the maximum value of d_s.
Remark: 1. The inner ring and the outer ring have an oil groove and two oil holes, respectively.
2. Not provided with prepacked grease. Perform proper lubrication for use.

CARACTÉRISTIQUES PRODUIT

Marque	IKO
N° Ean13	3663952392165
Diam. intérieur	300 mm
Diam. extérieur	430 mm
Épaisseur	165 mm
Type	GE
Lubrification	sans
Conditionnement	1

contact@123roulement.com

03 59 36 04 90

CRT4 de Lesquin 60 Rue Du Haut De Sainghin 59273 Fretin FRANCE