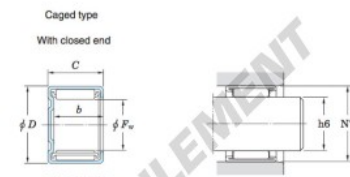


Roulement à aiguilles MHKM3520-JTEKT - MHKM3520-JTEKT

<https://www.123roulement.com/roulement-palier/roulement-aiguilles/aiguilles/mhkm3520-jtekt>

Drawn cup needle roller bearings Koyo



Boundary dimensions (mm)			Basic load ratings (kN)		Limiting speeds (min ⁻¹)	Bearing No. ²⁾	
F_w	D	C	b min.	C_r	Oil lub.	Caged type With open ends With closed end	
35	45	20	17.3	26.0	41.7	10 000	MHKM3520

Full complement type		Recommended dimensions (mm)				Refer. Mass (g)	
With open ends	With closed end	Shaft dia. (φ6) min.	max.	Housing bore dia. (N7) min.	max.	With open ends	With closed end
—	—	34.984	35.000	44.967	44.992	64	72

CARACTÉRISTIQUES PRODUIT

Marque	JTEKT
N° Ean13	3663952472324
Diam. intérieur	35 mm
Diam. extérieur	45 mm
Épaisseur	20 mm
Poids	72 g
Conditionnement	1

contact@123roulement.com

03 59 36 04 90

CRT4 de Lesquin 60 Rue Du Haut De Sainghin 59273 Fretin FRANCE